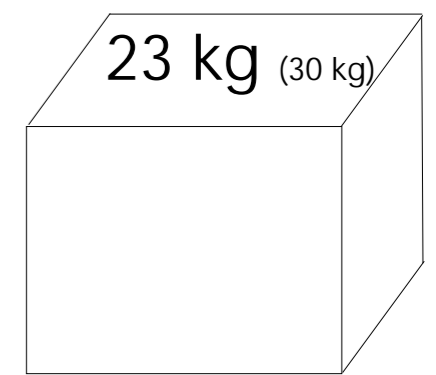
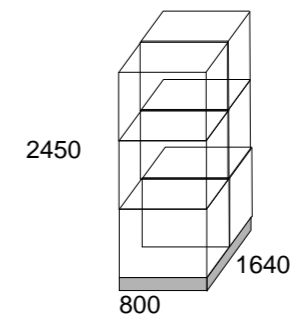




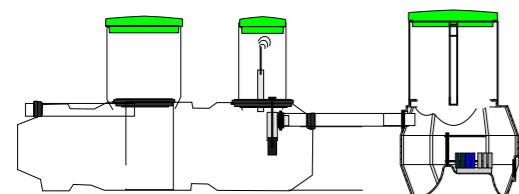
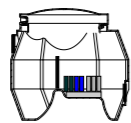
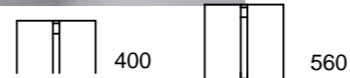
q-max 600 l / 24 h - 75 l / h

BioBox XL  
 BioBox XL +pakor  
 Sk420 + BioBox XI  
 Sk600 + BioBox XI  
 Sk1200 + 2xBioBox XI

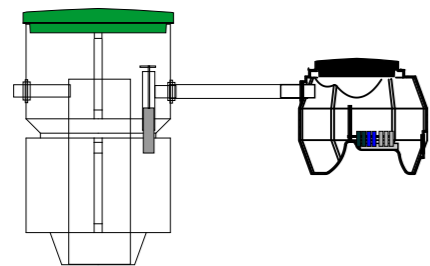


1 pc size 820x710x750 mm

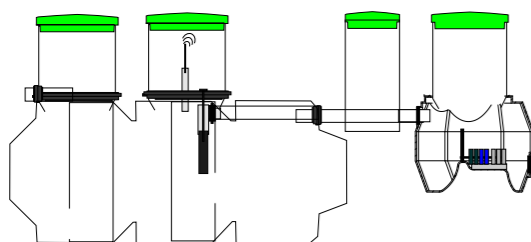
6 pcs size 800x1640x2450  
(with pallet)



q-max 600 l / 24 h - 125 l / h



q-max 600 l / 24 h - 125 l / h



q-max 1200 l / 24 h - 250 l / h

**Malli, varustetaso, lisävarusteet:**


Malli	Kapasiteetti l / 24 h	SK 420	SK600	SK1200 SAV	BM	Pakor
Bio-Box XL	600	+	+	+	+	+

**Modell, utrustningsnivå, tilläggsutrustning::**

Modell	Kapasitet l / 24 h	SK 420	SK600	SK1200 SAV	BM	Pakor
Bio-Box XL	600	+	+	+	+	+

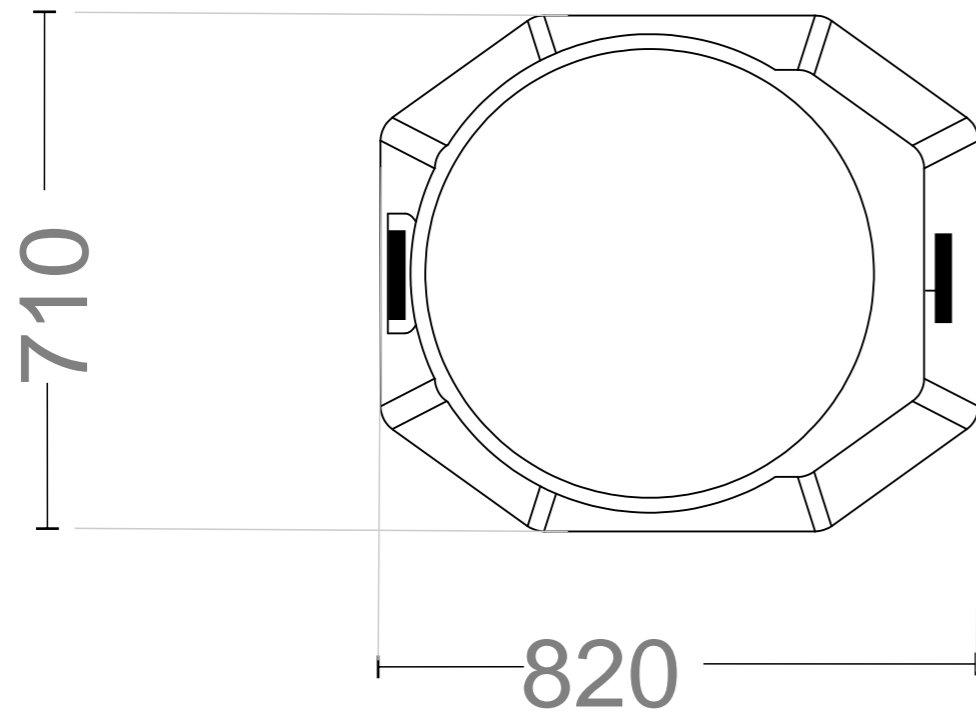
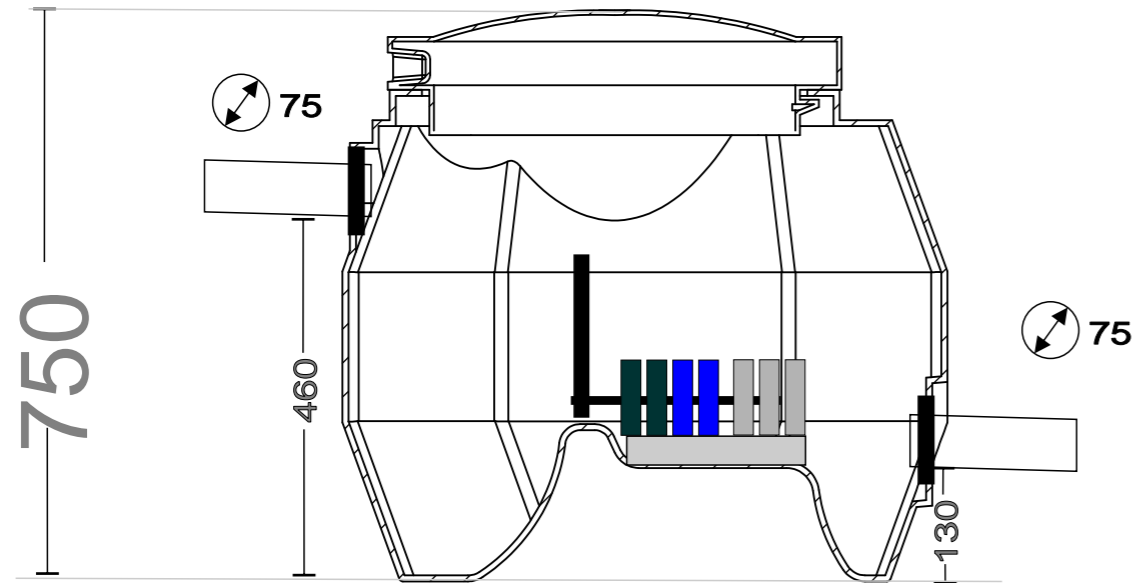
**Model, equipment level, auxiliary equipment:**

Model	Capacity l/24 h	SK 420	SK600	SK1200 SAV	BM	Pakor
Bio-Box XL	600	+	+	+	+	+

		Scale:
	<b>BioBox XL</b>	<b>2016</b>

# BioBox XI

q-max 600 l/ 24 h - 75 l/ h



## Malli, varustetaso, lisävarusteet:


Malli	Kapasiteetti l/ 24 h
Bio-Box XL	600

## Modell, utrustningsnivå, tillägsutrustning::

Modell	Kapasitet l/ 24 h
Bio-Box XL	600

## Model, equipment level, auxiliary equipment:

Model	Capacity l/ 24 h
Bio-Box XL	600

		Scale:
 <a href="http://www.raita.com">www.raita.com</a>	<b>BioBox XL</b>	<b>2016</b>

# BioBox XI

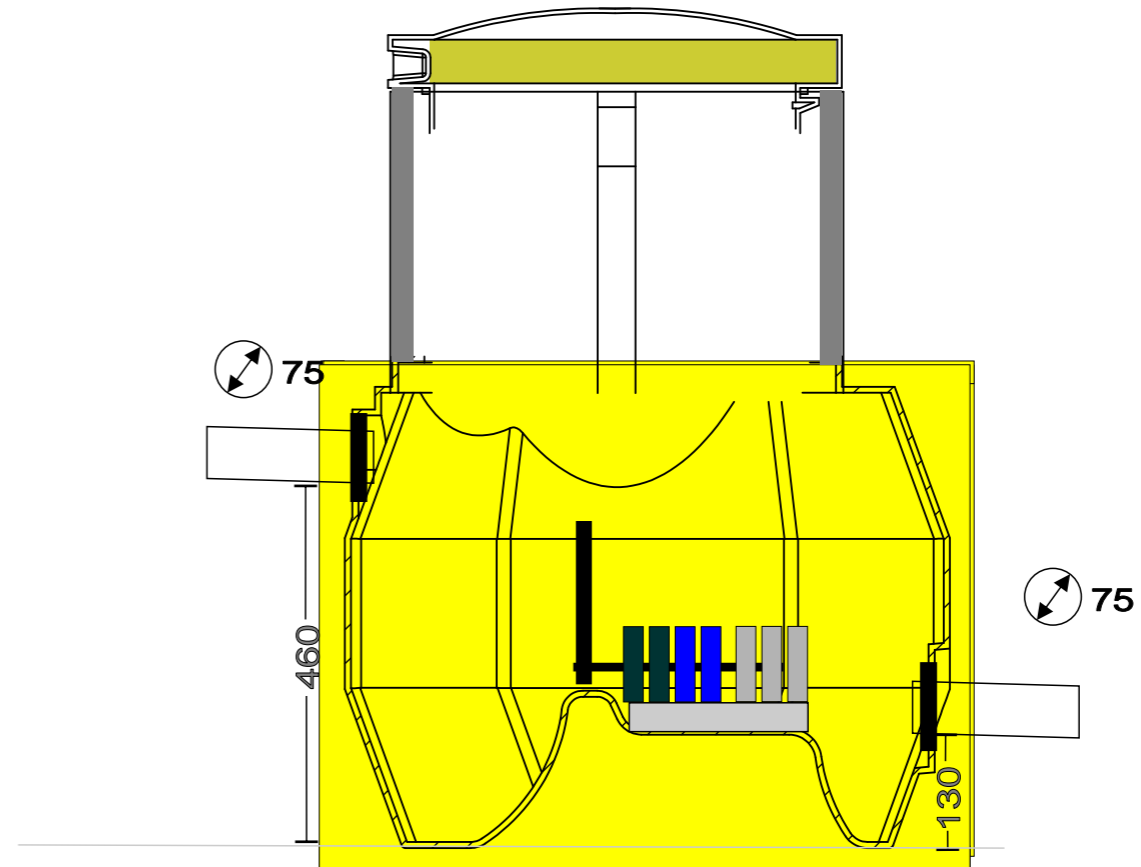
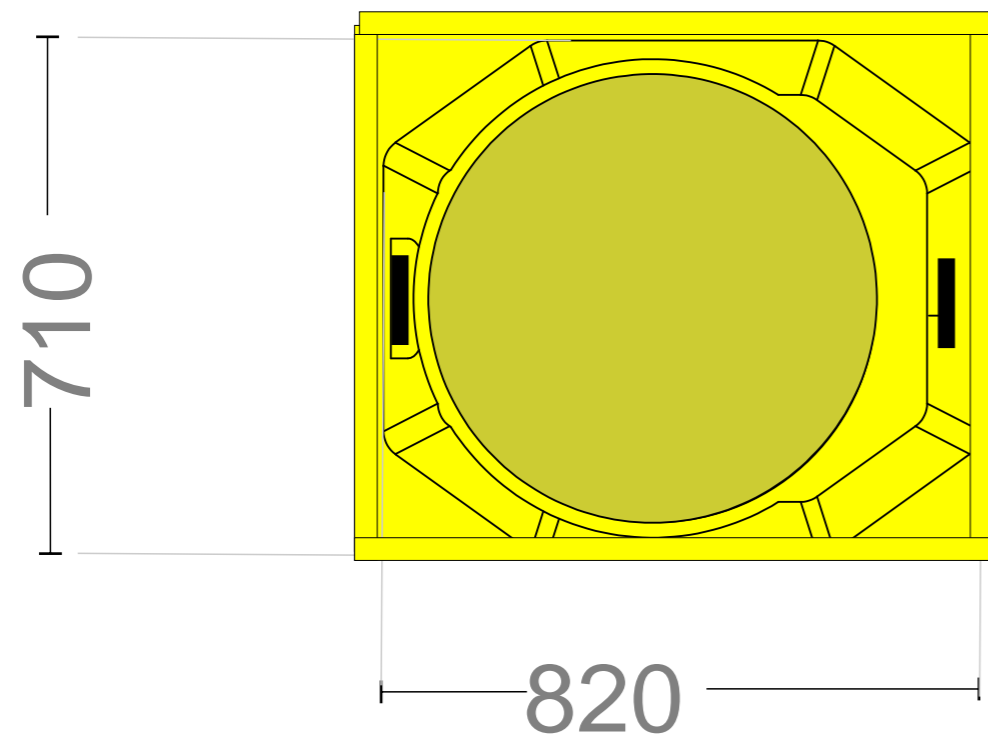
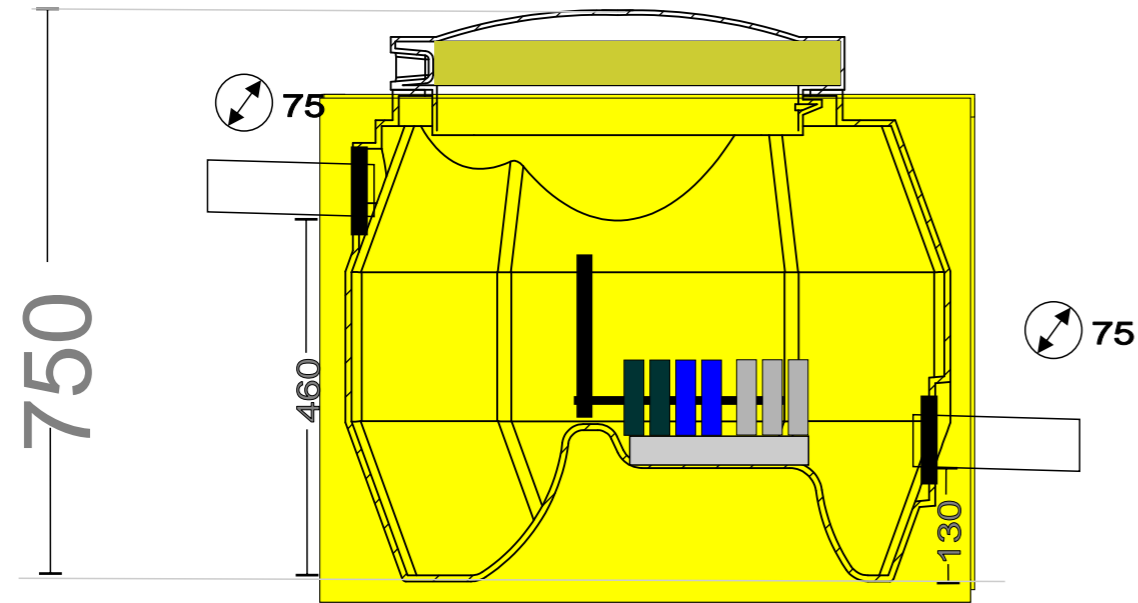
q-max 600 l/ 24 h - 75 l/h


## Eristepaketit- isoleringspaketer -isolationpackages:

- 1x Dia 600 50 mm
- 1x 820x710 (dia600)
- 2x 840x 700 50 mm
- 2x 750x 700 50 mm
- 2x 840x750 50 mm

## Korotusosa - förhöjning - extension

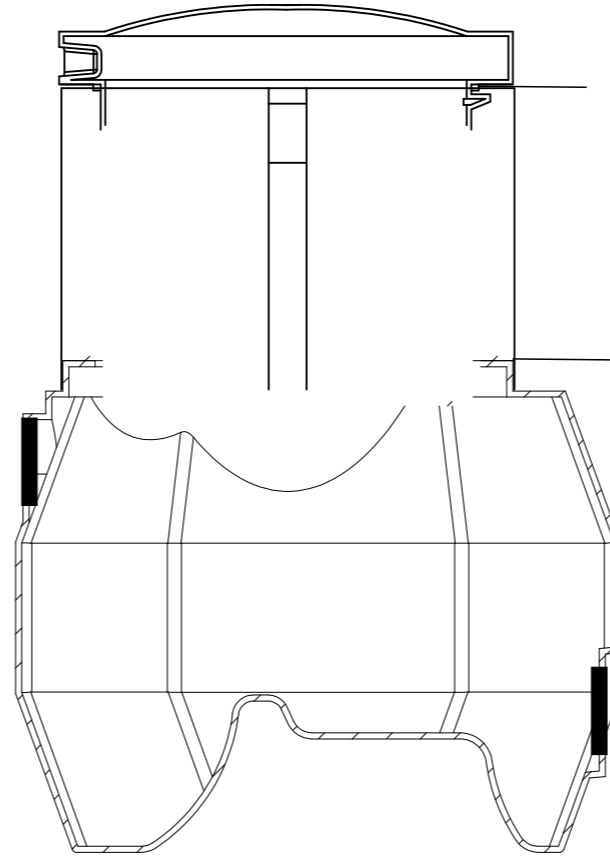
- 400; 1x ppfoam 380x1900
- 600: 1x ppfoam 580x1900



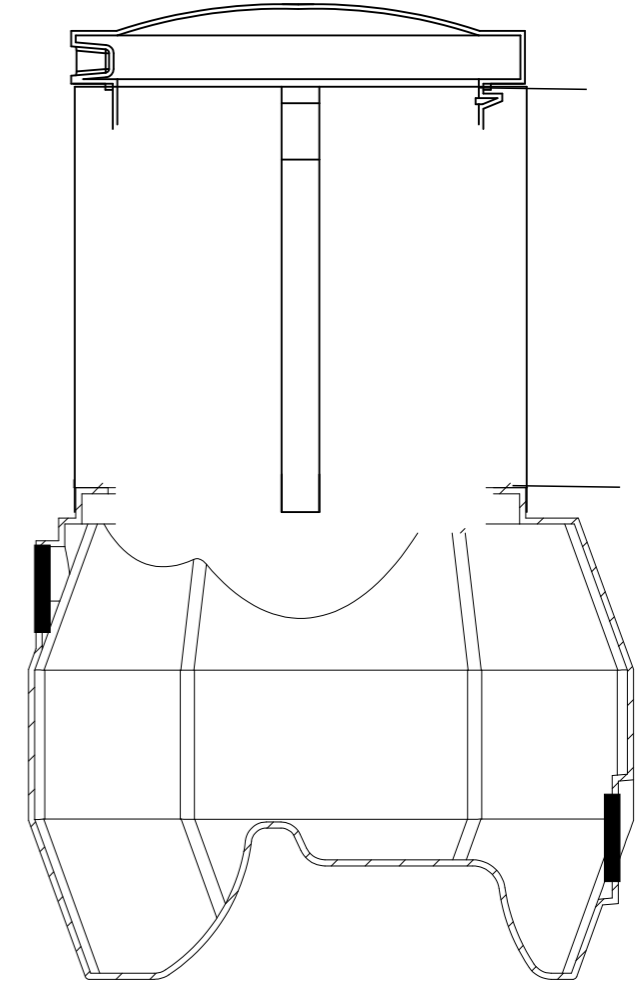
		Scale:
 <a href="http://www.raita.com">www.raita.com</a>	<b>BioBox XL</b>	<b>2016</b>

# BioBox XL +pakor

q-max 600 l/ 24 h - 75 l/ h



650 + 400



650 + 560

**Malli, varustetaso, lisävarusteet:**

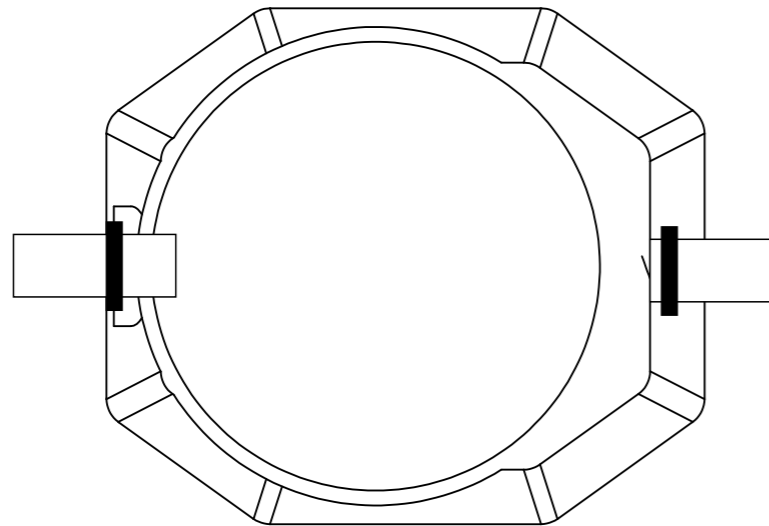
Malli	Kapasiteetti l/ 24 h	Pakor
Bio-Box XL	600	+


**Modell, utrustningsnivå, tilläggsutrustning::**

Modell	Kapasitet l/ 24 h	Pakor
Bio-Box XL	600	+

**Model, equipment level, auxiliary equipment:**

Model	Capacity l/ 24 h	Pakor
Bio-Box XL	600	+



		Scale:
 <a href="http://www.raita.com">www.raita.com</a>	BioBox XL	
	2016	

# BioBox XI + BM ( x 2/4/6)

q-max 600 l / 24 h ( 125 l / h - 200 l/h - 300 l / h)

## Malli, varustetaso, lisävarusteet:

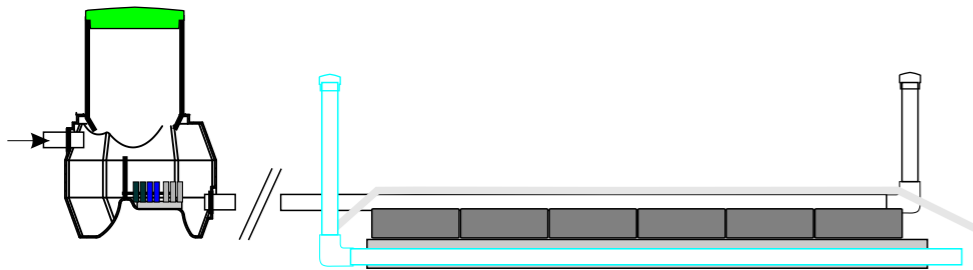
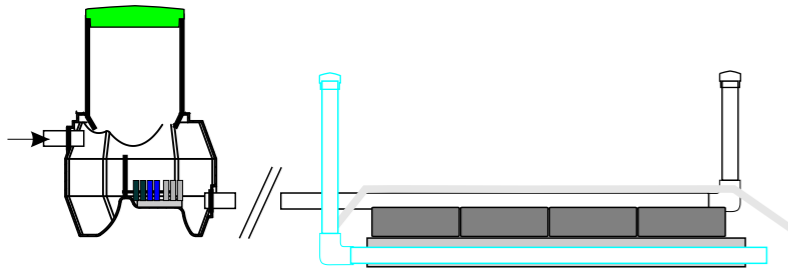
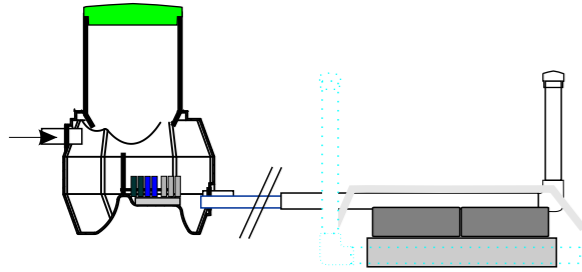
Malli	Kapasiteetti l / 24 h	BM	Pakor
Bio-Box XL	600	+	+

## Modell, utrustningsnivå, tillägsutrustning::

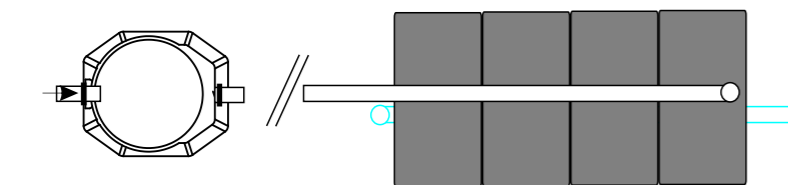
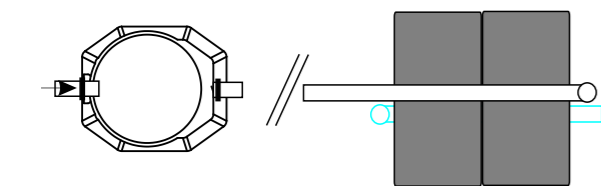
Modell	Kapasitet l / 24 h	BM	Pakor
Bio-Box XL	600	+	+

## Model, equipment level, auxiliary equipment:


Model	Capacity l / 24 h	BM	Pakor
Bio-Box XL	600	+	+



Imeytys, infiltration

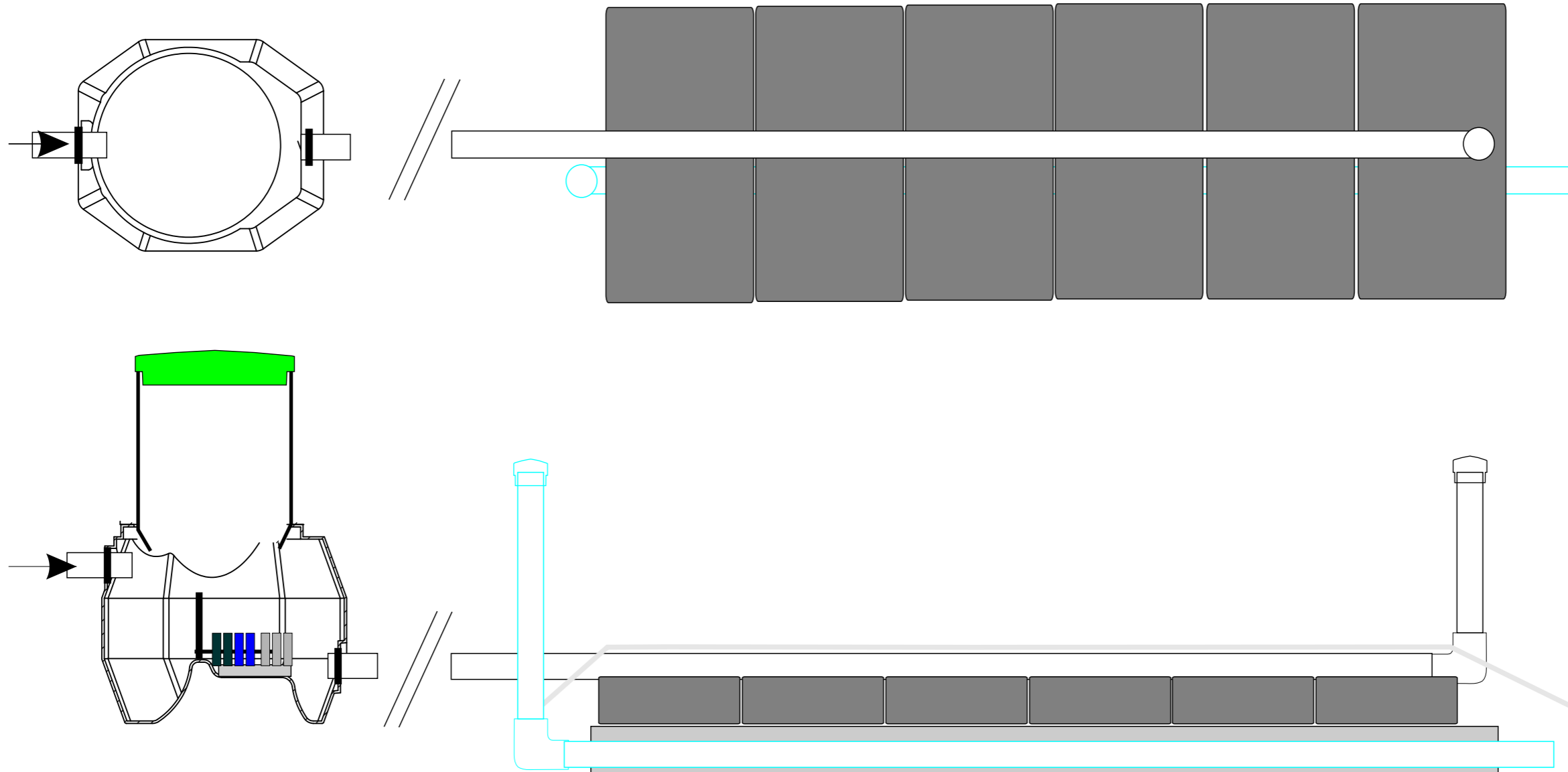



Suodatus, markbädd, biomodul /sand filter

		Scale:
 <a href="http://www.raita.com">www.raita.com</a>	<b>BioBox XL</b>	<b>2016</b>

# BioBox XI + BM ( x 2/4/6)

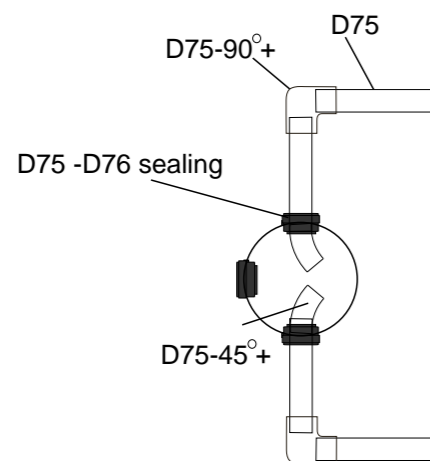
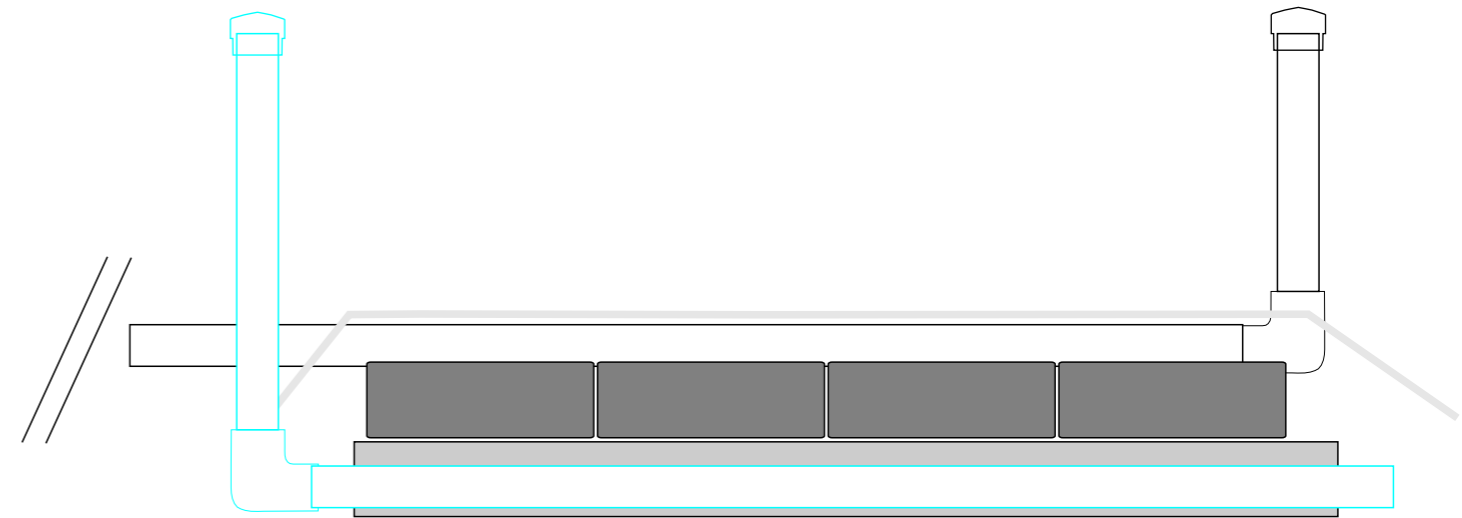
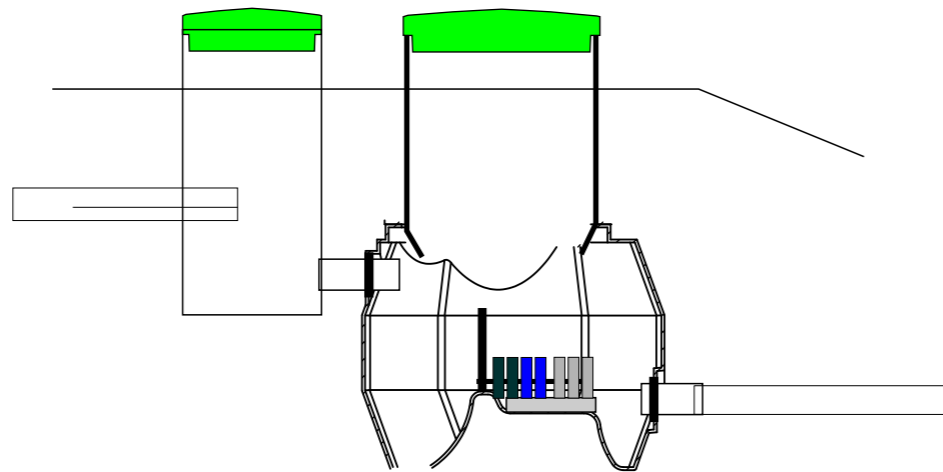
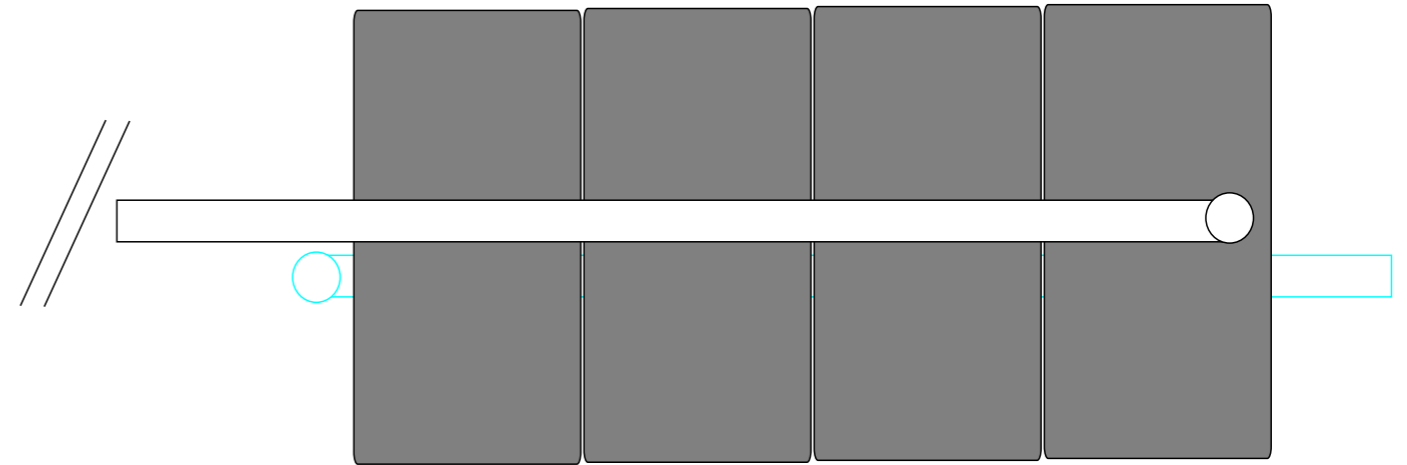
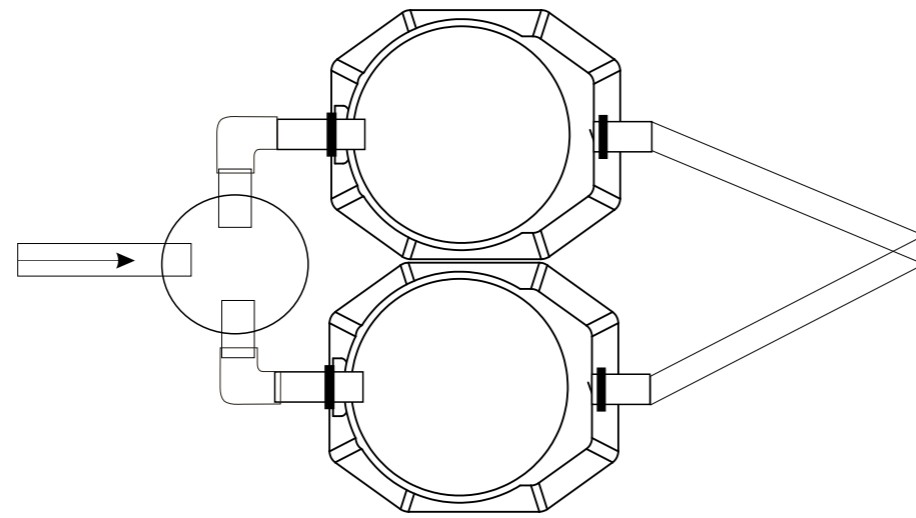
q-max 600 l / 24 h ( 125 l / h - 200 l/h - 300 l / h)




		Scale:
 <a href="http://www.raita.com">www.raita.com</a>	<b>BioBox XL</b>	<b>2016</b>

# Jk300 1/2 + BioBox XL (+pakor)

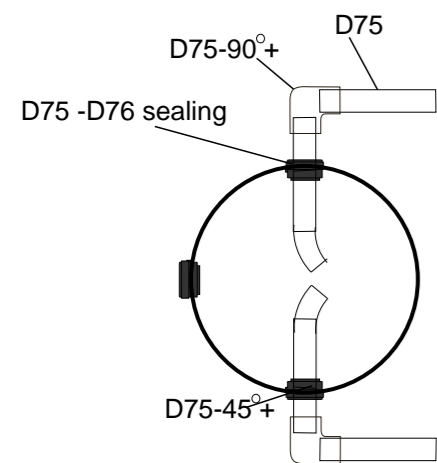
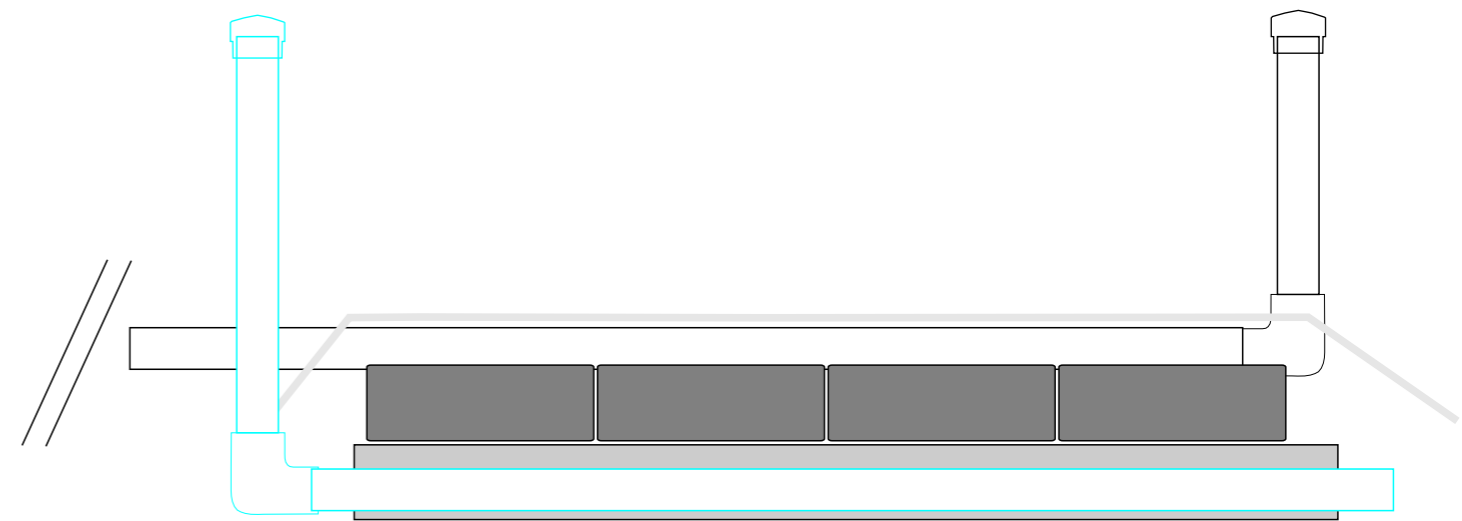
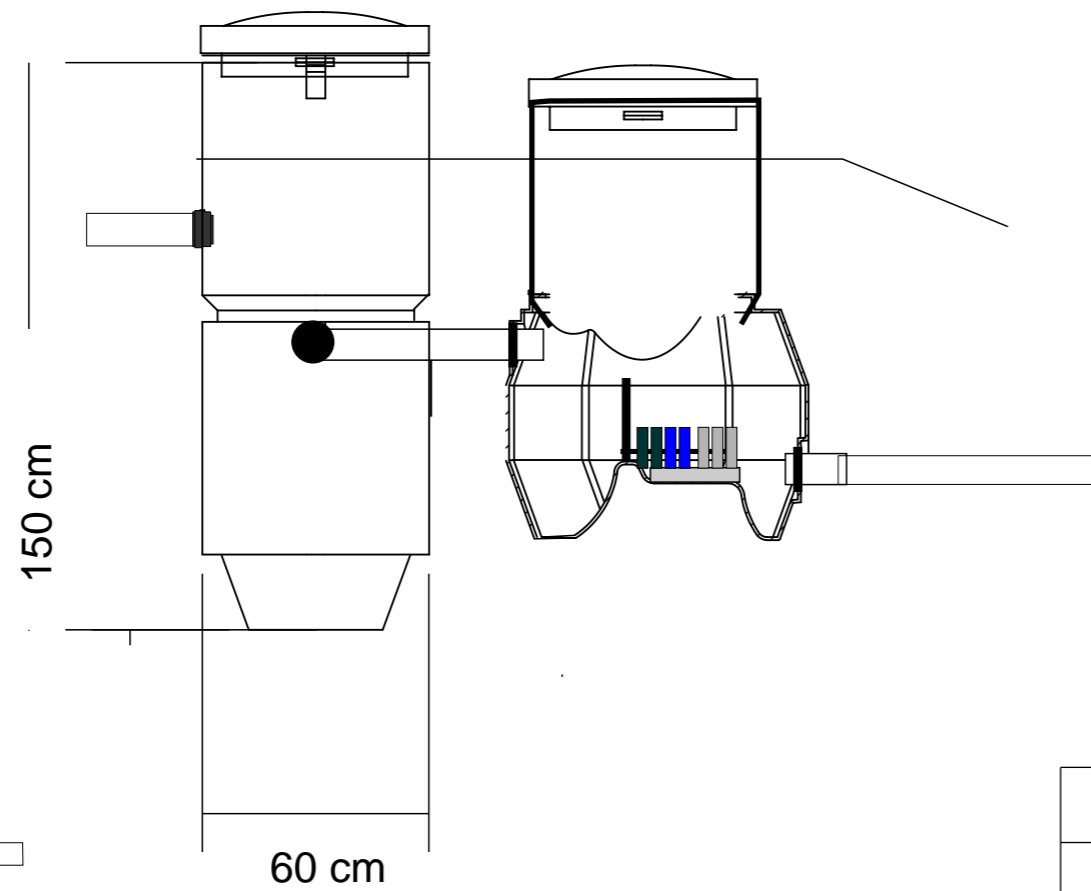
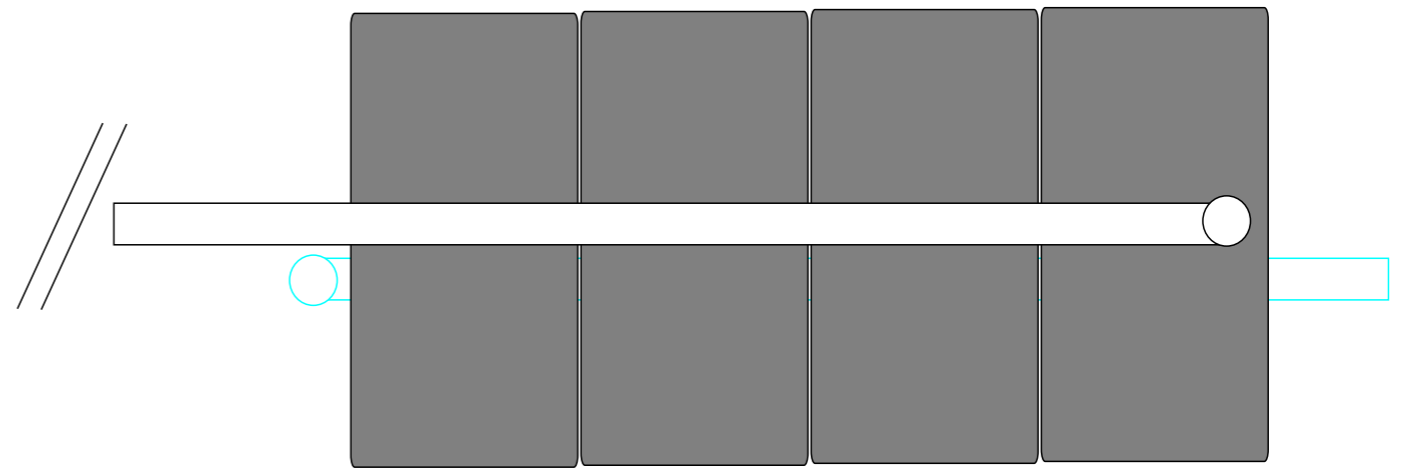
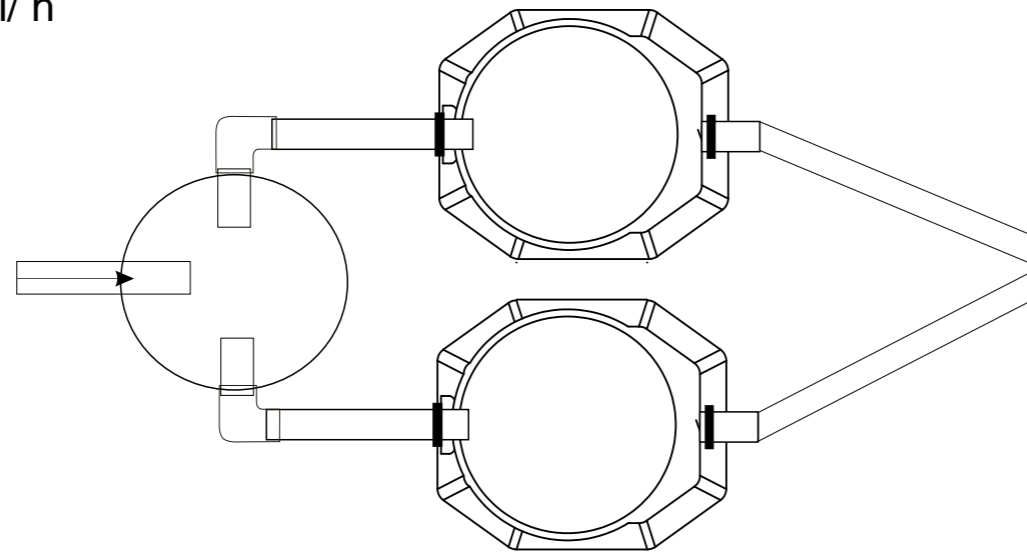
q-max 1200 l / 24 h - 250 l / h




		Scale:
 <a href="http://www.raita.com">www.raita.com</a>	BioBox XL	
	2016	

# Jk600 1/2 + BioBox XL (+pakor)

q-max 1200 l / 24 h - 300 l / h

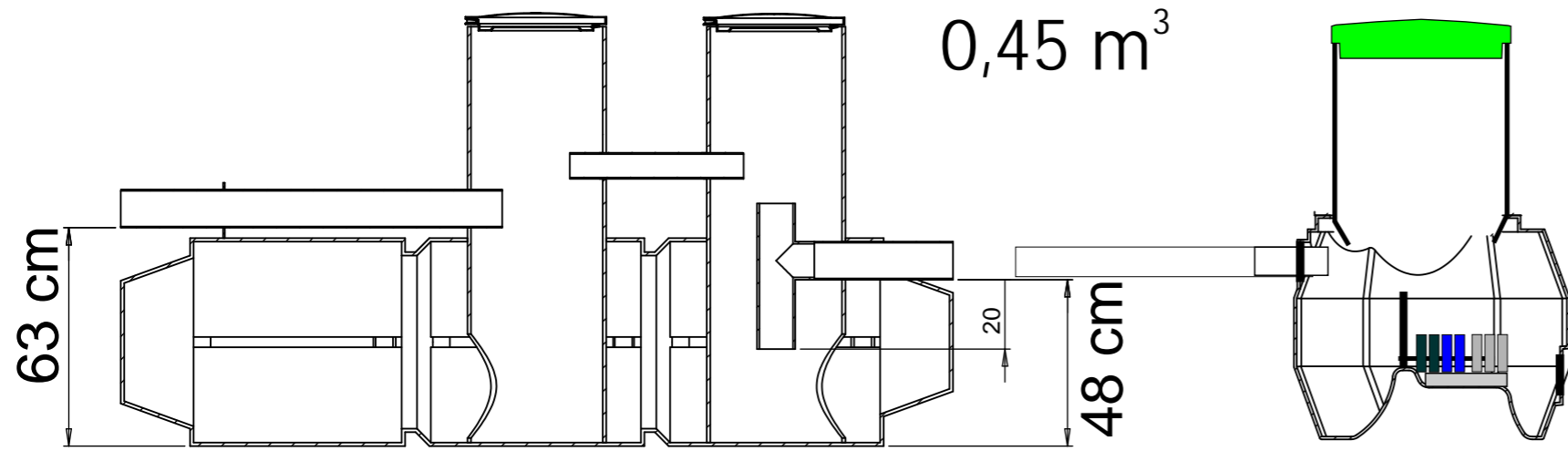


		Scale:
 <a href="http://www.raita.com">www.raita.com</a>	BioBox XL	
	2016	



# Sk450 + BioBox XL (+pakor)

q-max 600 l / 24 h - 125 l / h



**Malli, varustetaso, lisävarusteet:**

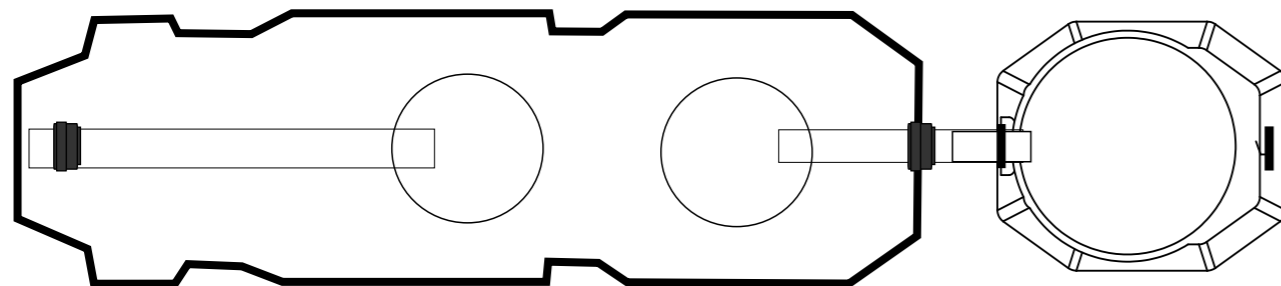
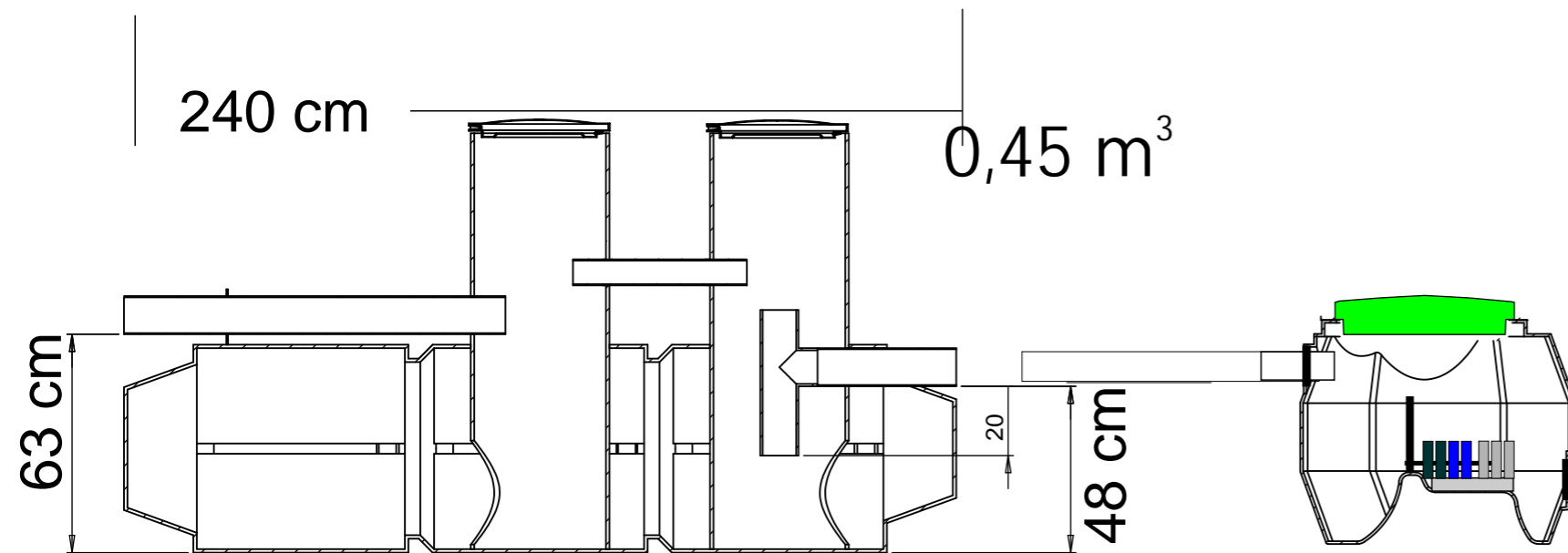
Malli	Kapasiteetti l / 24 h	SK 450	Pakor
Bio-Box XL	600	+	+


**Modell, utrustningsnivå, tilläggsutrustning::**

Modell	Kapasitet l / 24 h	SK 450	Pakor
Bio-Box XL	600	+	+

**Model, equipment level, auxiliary equipment:**

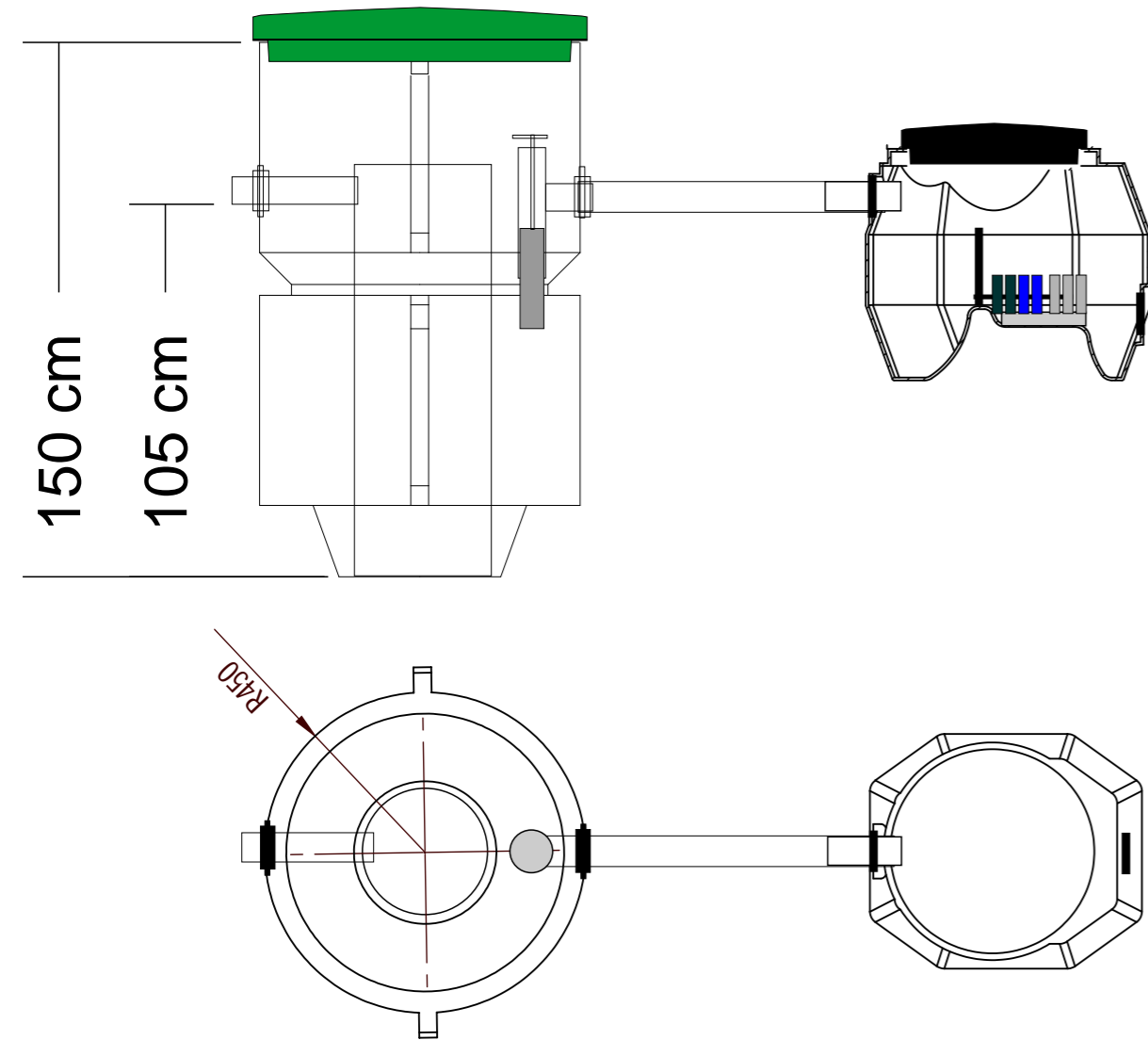
Model	Capacity l / 24 h	SK 450	Pakor
Bio-Box XL	600	+	+



		Scale:
 <a href="http://www.raita.com">www.raita.com</a>	<b>BioBox XL</b>	<b>2016</b>

# Sk600 + BioBox XL

q-max 600 l/ 24 h - 125 l/ h



## Malli, varustetaso, lisävarusteet:


Malli	Kapasiteetti l/ 24 h	SK600	Pakor
Bio-Box XL	600	+	+

## Modell, utrustningsnivå, tilläggsutrustning::

Modell	Kapasitet l/ 24 h	SK600	Pakor
Bio-Box XL	600	+	+

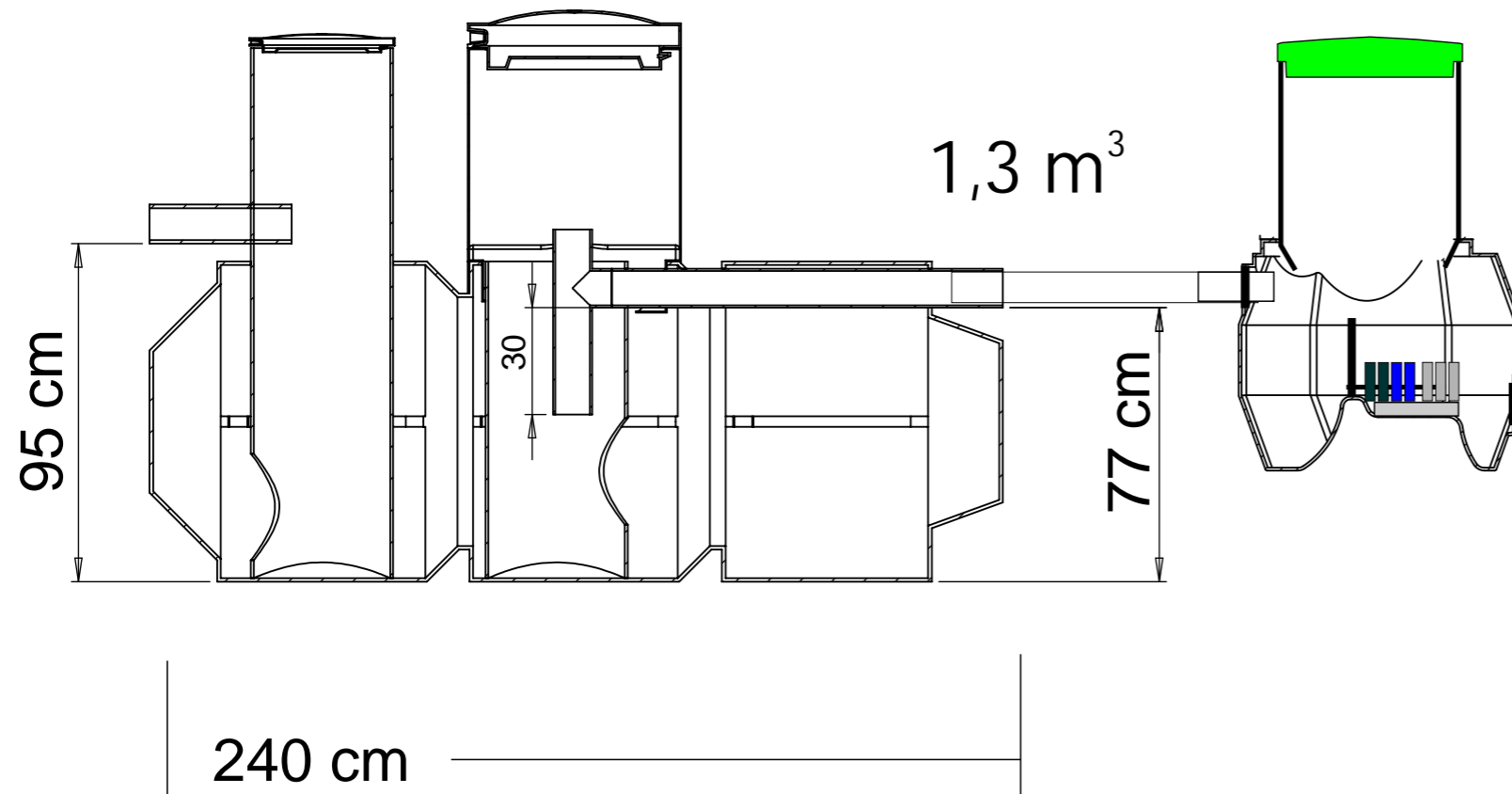
## Model, equipment level, auxiliary equipment:

Model	Capacity l/ 24 h	SK600	Pakor
Bio-Box XL	600	+	+

		Scale:
	BioBox XL	
	2016	

# Sk1300 + BioBox XL (+pakor)

q-max 600 l / 24 h - 200 l / h



## Malli, varustetaso, lisävarusteet:


Malli	Kapasiteetti l / 24 h	SK 1300	Pakor
Bio-Box XL	600	+	+

## Modell, utrustningsnivå, tilläggsutrustning::

Modell	Kapasitet l / 24 h	SK 1300	Pakor
Bio-Box XL	600	+	+

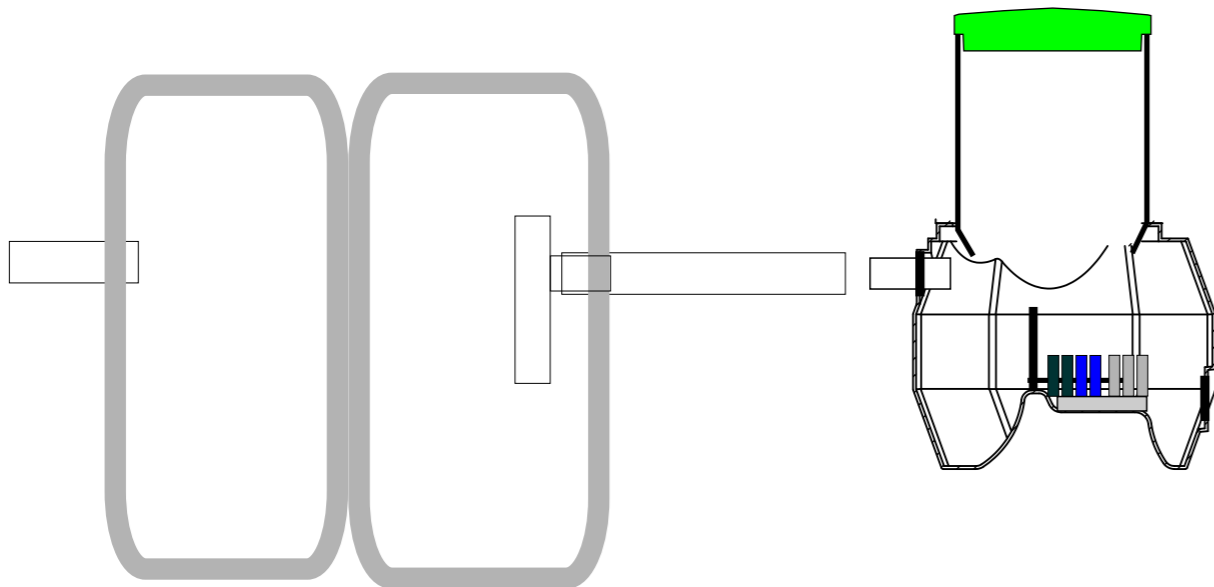
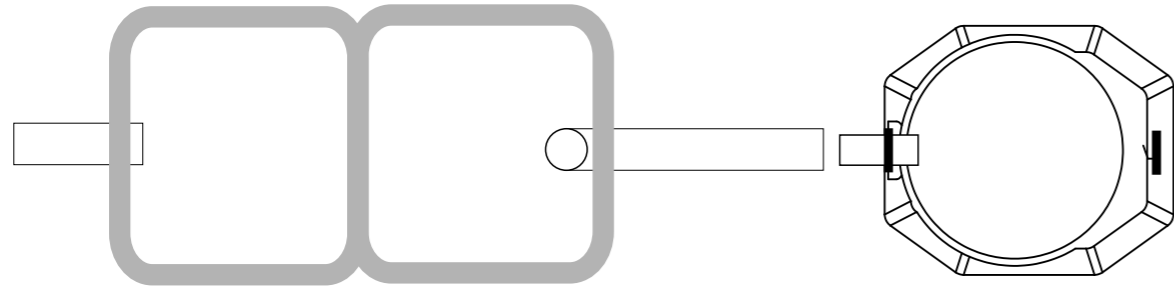
## Model, equipment level, auxiliary equipment:

Model	Capacity l / 24 h	SK 1300	Pakor
Bio-Box XL	600	+	+

		Scale:
 <a href="http://www.raita.com">www.raita.com</a>	<b>BioBox XL</b>	<b>2016</b>

# Vanha sakokaivo + BioBox XL (+pakor)

q-max 600 l/ 24 h - 125 l/ h



## Malli, varustetaso, lisävarusteet:

Malli	Kapasiteetti l/ 24 h	SK 420	Pakor
Bio-Box XL	600	+	+

## Modell, utrustningsnivå, tilläggsutrustning::

Modell	Kapasitet l/ 24 h	SK 420	Pakor
Bio-Box XL	600	+	+

## Model, equipment level, auxiliary equipment:

Model	Capacity l/ 24 h	SK 420	Pakor
Bio-Box XL	600	+	+

### Vanhan saostuskaivo tarkastus:


- tarkastettava tiiveys
- poistossa t-haara
- viemärituuletus
- tilavuus; jäteveden viipymä kaivossa 1-1,5 vrk:tta (tilavuus min 400 l)

### Kontroll av det befintliga slamavkliljaren:

- kontrollera täthet
- t-rörkoppling i utgående
- ventilation
- volym; min 1-1,5 x kapacitet/ 24 h (volym min 400 l)

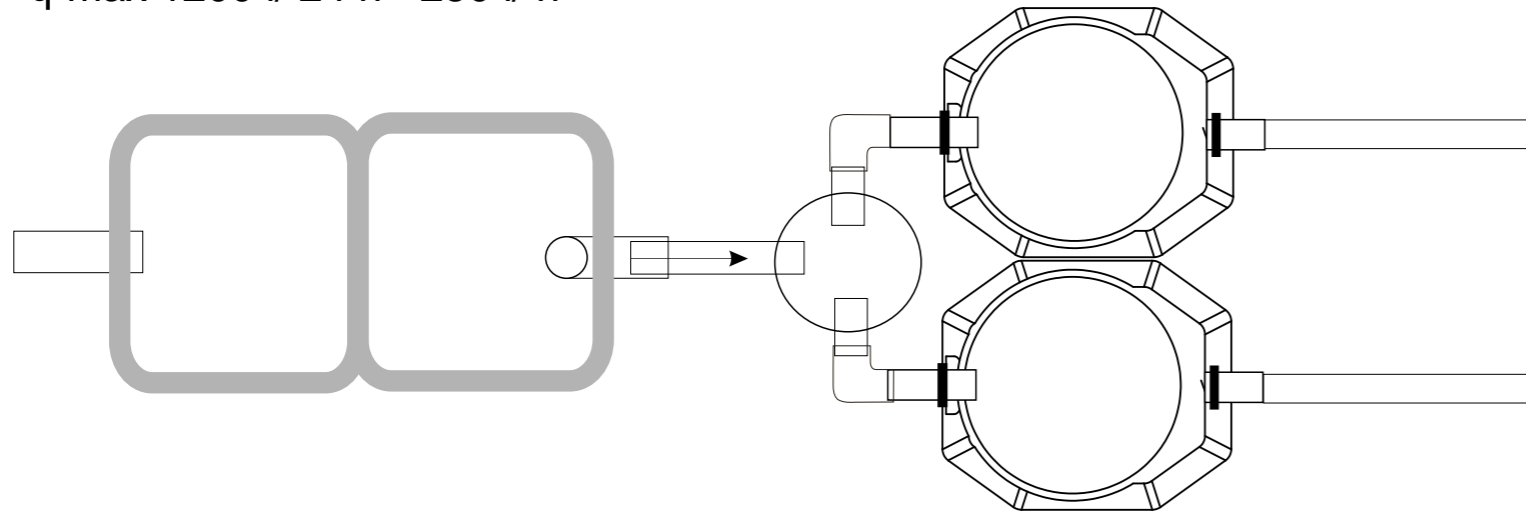
### Controll of the existing precipitation tank:

- controll tightness of the wells
- t-pipe connection for out going water
- ventilation
- volume; min 1-1,5 x capacity/24 h (volym min 400 l)

		Scale:
	<b>BioBox XL</b>	<b>2016</b>

# Vanha sakokaivo + BioBox XL (+pakor)

q-max 1200 l / 24 h - 250 l / h



## Malli, varustetaso, lisävarusteet:

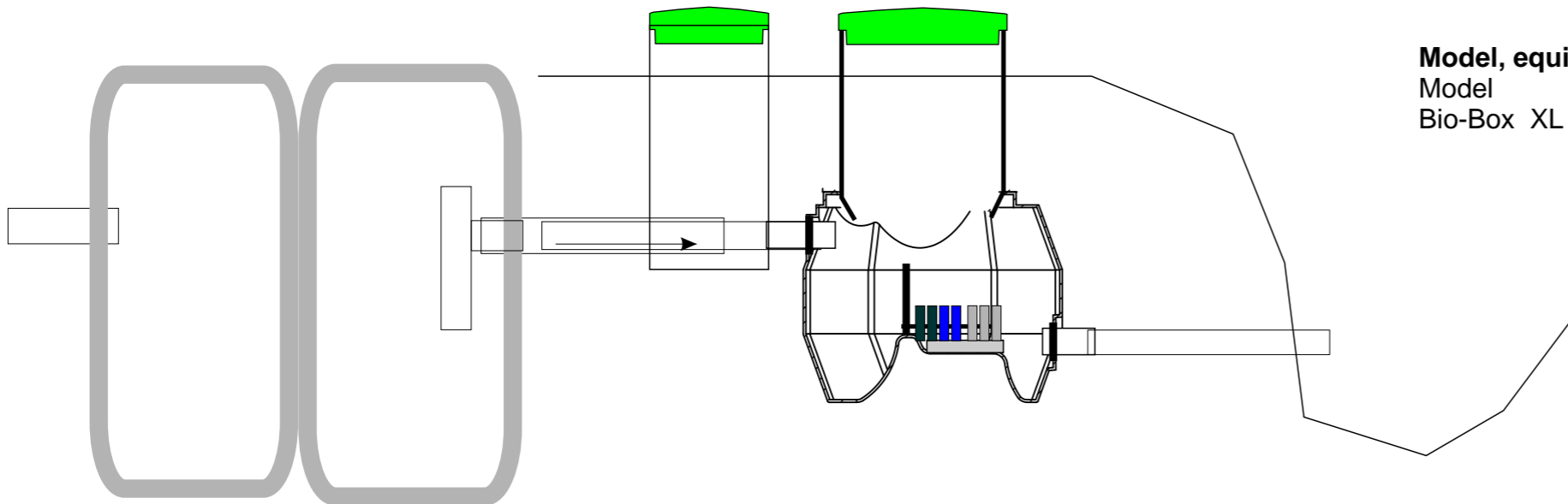
Malli	Kapasiteetti l / 24 h		
Bio-Box XL	600	+	+

## Modell, utrustningsnivå, tilläggsutrustning::

Modell	Kapasitet l / 24 h		
Bio-Box XL	600	+	+

## Model, equipment level, auxiliary equipment:

Model	Capacity l / 24 h		
Bio-Box XL	600	+	+



### Vanhan saostuskaivo tarkastus:


- tarkastettava tiiveys
- poistossa t-haara
- viemärituuletus
- tilavuus; jäteveden viipymä kaivossa 1-1,5 vrk:tta (tilavuus min 400 l)

### Kontroll av det befintliga slamavkliljaren:

- kontrollera täthet
- t-rörkoppling i utgående
- ventilation
- volym; min 1-1,5 x kapacitet / 24 h (volym min 400 l)

### Controll of the existing precipitation tank:

- controll tightness of the wells
- t-pipe connection for out going water
- ventilation
- volume; min 1-1,5 x capacity/24 h (volym min 400 l)

		Scale:
 <a href="http://www.raita.com">www.raita.com</a>	<b>BioBox XL</b>	<b>2016</b>

# JK 200 + BioBox XI x 2

q-max 1200 l/ 24 h - 150 l/ h

## Malli, varustetaso, lisävarusteet:

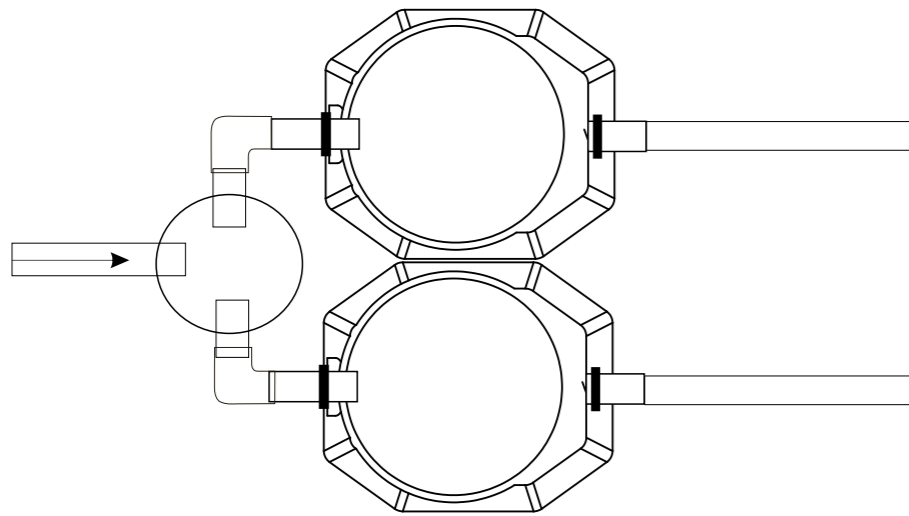
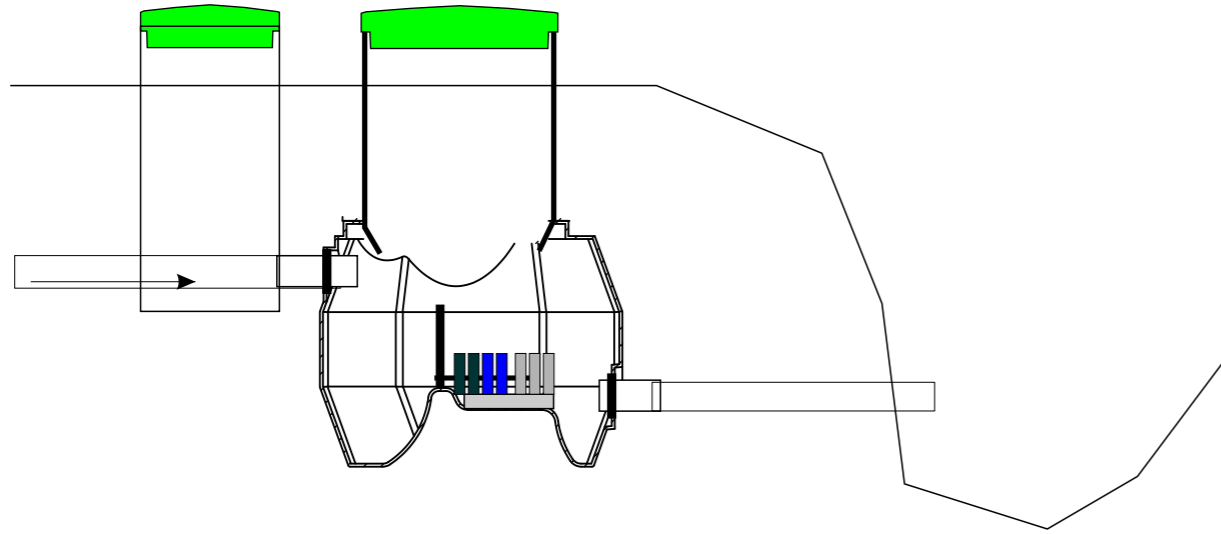
Malli	Kapasiteetti l/ 24 h	BM	Pakor
Bio-Box XL	600	+	+


## Modell, utrustningsnivå, tillägsutrustning::

Modell	Kapasitet l/ 24 h	BM	Pakor
Bio-Box XL	600	+	+

## Model, equipment level, auxiliary equipment:

Model	Capacity l/ 24 h	BM	Pakor
Bio-Box XL	600	+	+



		Scale:
 <a href="http://www.raita.com">www.raita.com</a>	<b>BioBox XL</b>	<b>2016</b>

# JK 200 + BioBox XI x 2 + BM x 4

q-max 1200 l/ 24 h - 250 l/ h

## Malli, varustetaso, lisävarusteet:

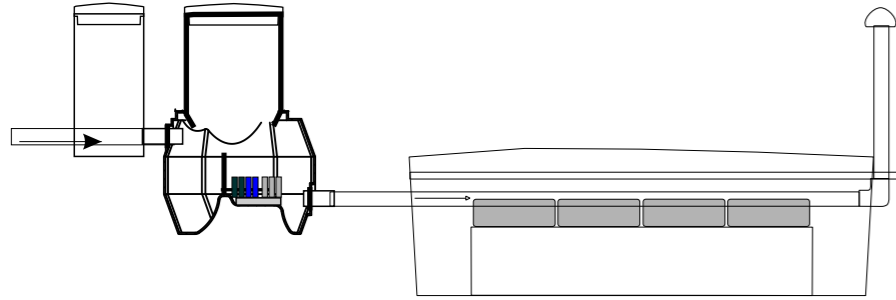
Malli	Kapasiteetti l/ 24 h	BM	Pakor
Bio-Box XL	600	+	+

## Modell, utrustningsnivå, tillägsutrustning::

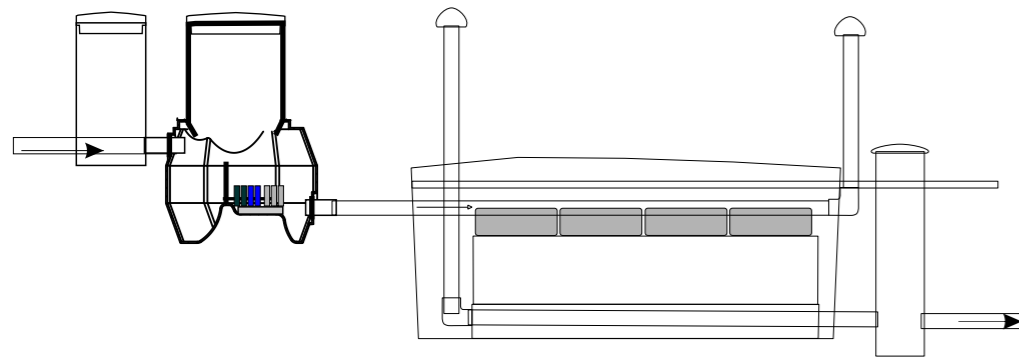
Modell	Kapasitet l/ 24 h	BM	Pakor
Bio-Box XL	600	+	+

## Model, equipment level, auxiliary equipment:

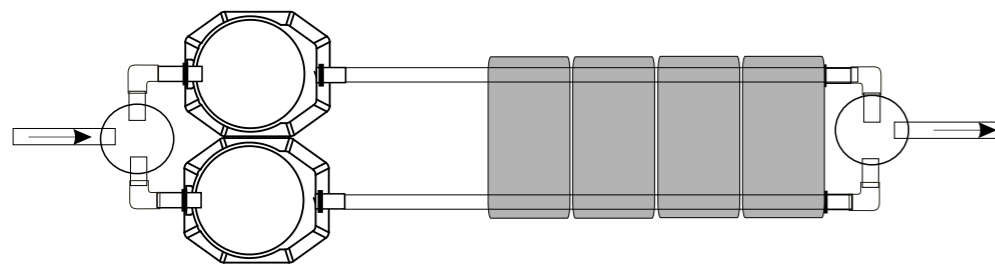
Model	Capacity l/ 24 h	BM	Pakor
Bio-Box XL	600	+	+




Imeytys, infiltration



Suodatus, markbädd, biomodul /sand filter



		Scale:
 <a href="http://www.raita.com">www.raita.com</a>	<b>BioBox XL</b>	<b>2016</b>

# JK 200 + BioBox XI x 2 + BM x 6

q-max 1200 l / 24 h - 300 l / h

## Malli, varustetaso, lisävarusteet:

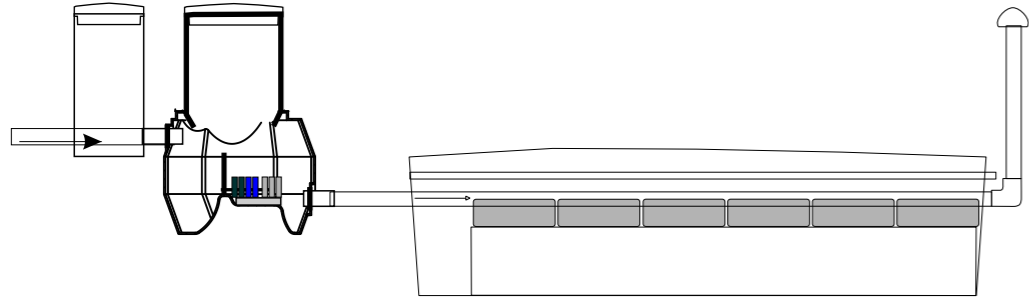
Malli	Kapasiteetti l / 24 h	BM	Pakor
Bio-Box XL	600	+	+

## Modell, utrustningsnivå, tillägsutrustning::

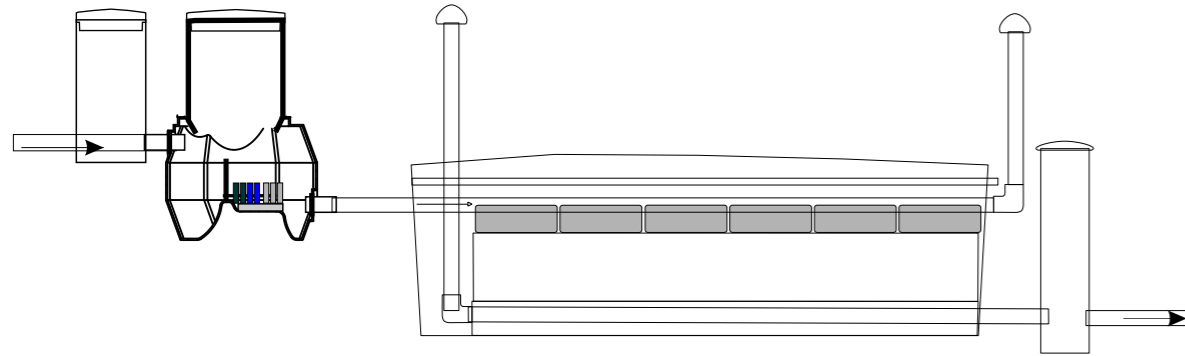
Modell	Kapasitet l / 24 h	BM	Pakor
Bio-Box XL	600	+	+

## Model, equipment level, auxiliary equipment:

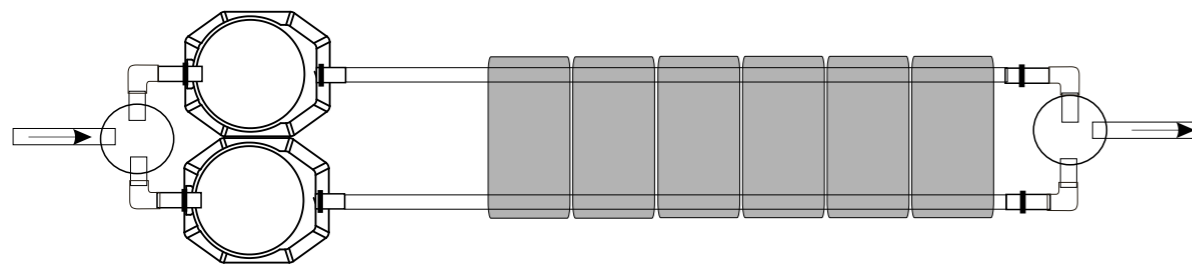
Model	Capacity l / 24 h	BM	Pakor
Bio-Box XL	600	+	+




Imeytys, infiltration



Suodatus, markbädd, biomodul /sand filter

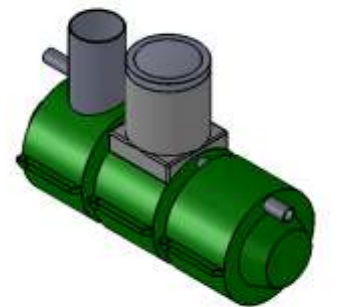
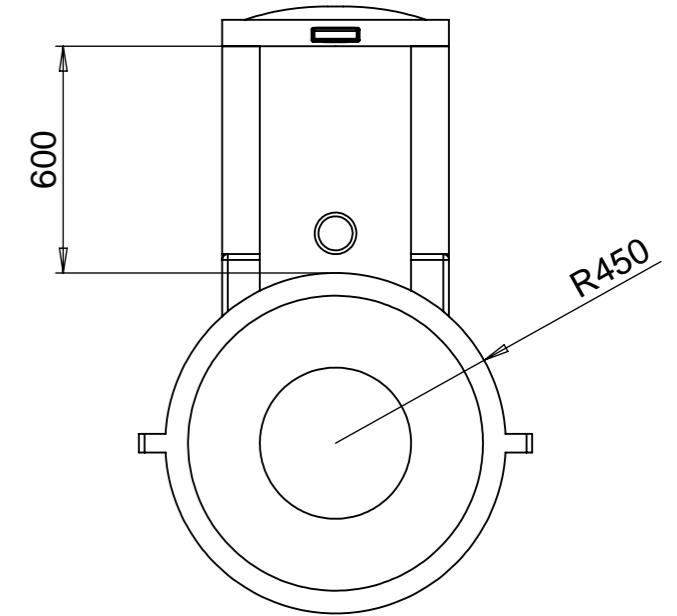
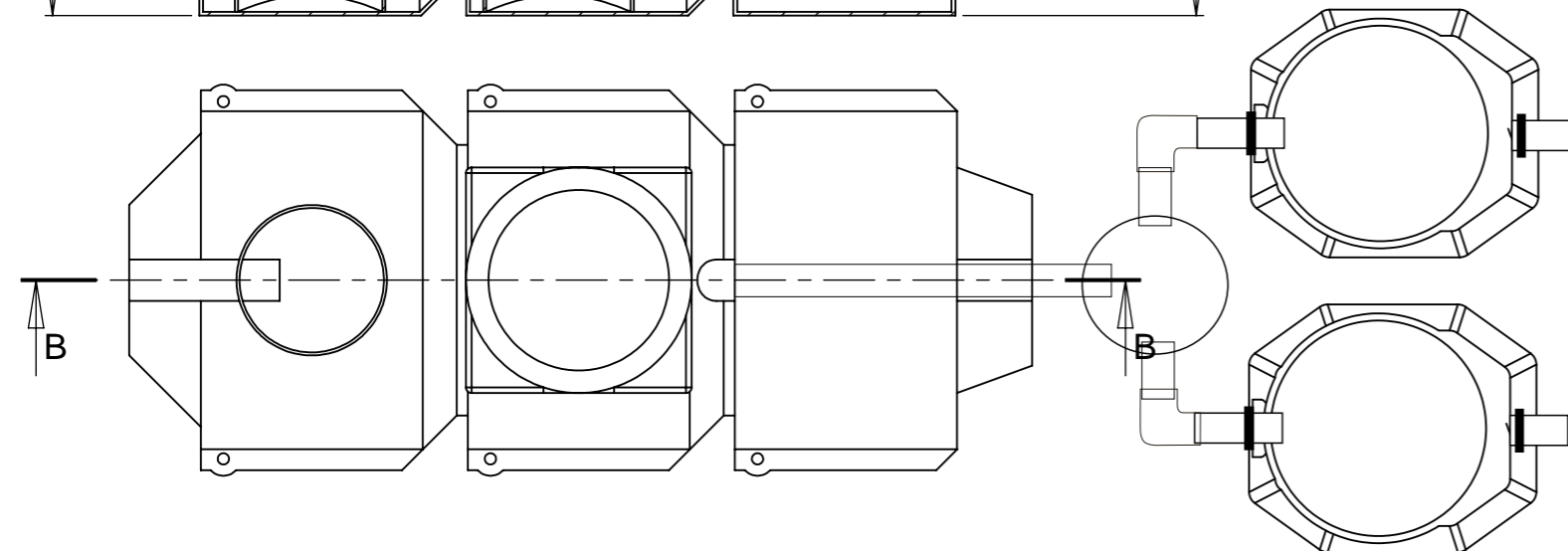
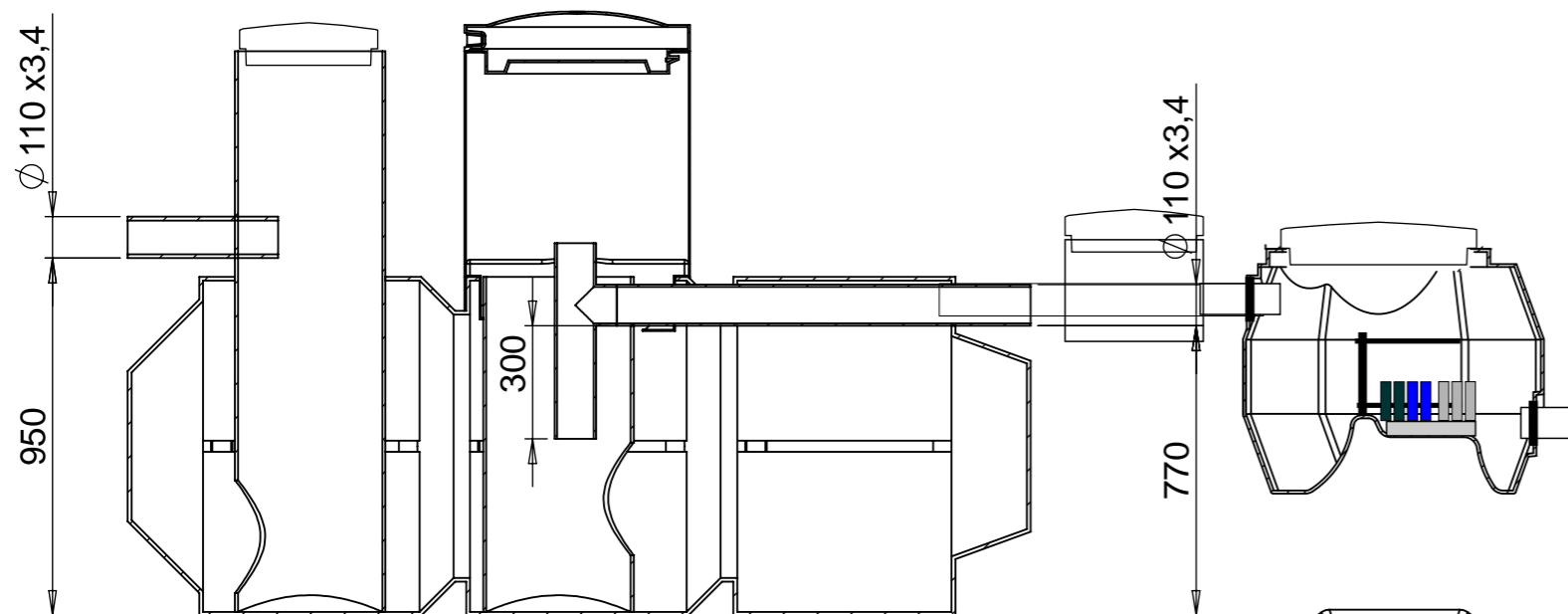
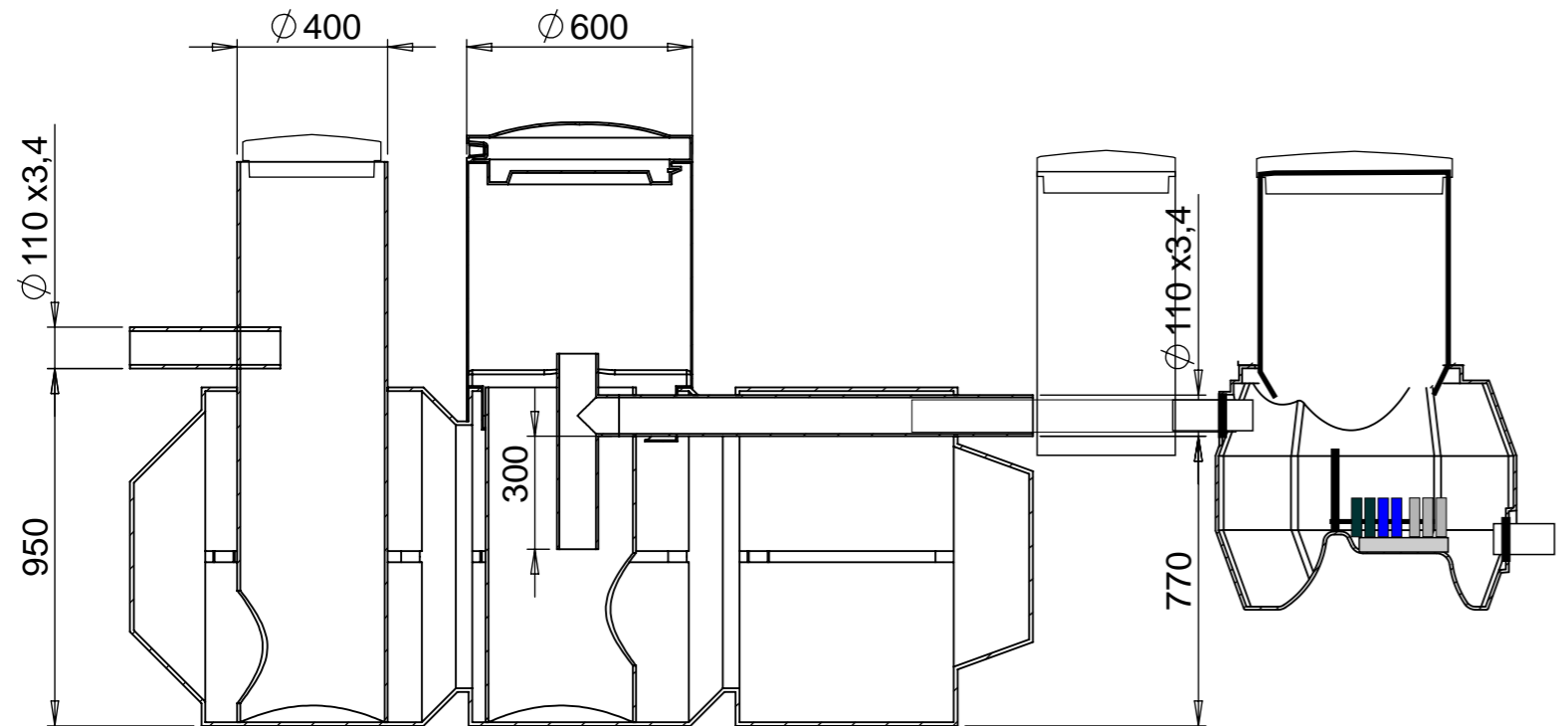


		Scale:
 <a href="http://www.raita.com">www.raita.com</a>	<b>BioBox XL</b>	<b>2016</b>



# Sk1300 + Jk200 + 2x BioBox XL (+pakor)

q-max 1200 l / 24 h - 300 l / h8



**Malli, varustetaso, lisävarusteet:**


Malli	Kapasiteetti l / 24 h	SK1300	Pakor
Bio-Box XLx2	1200	+	+

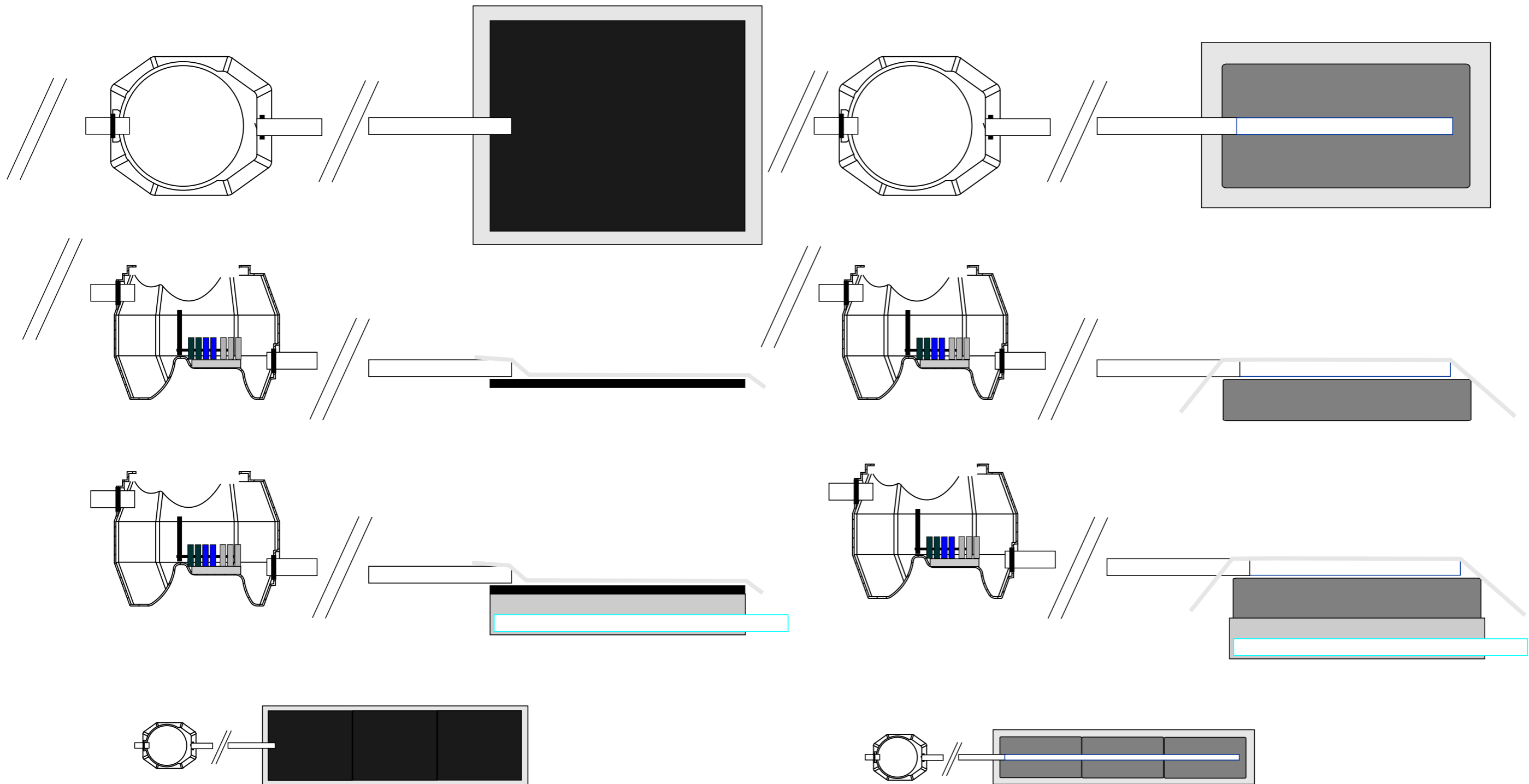
**Modell, utrustningsnivå, tillägsutrustning::**

Modell	Kapasitet l / 24 h	SK1300	Pakor
Bio-Box XLx2	1200	+	+

**Model, equipment level, auxiliary equipment:**

Model	Capacity l / 24 h	SK1300	Pakor
Bio-Box XLx2	1200	+	+

		Scale:
 <a href="http://www.raita.com">www.raita.com</a>	<b>BioBox XL</b>	
	<b>2016</b>	



**Malli, varustetaso, lisävarusteet:**


Malli	Kapasiteetti l/ 24 h	SK 420	SK600	SK1200 SAV	BM	Pakor
Bio-Box XL	600				+	

**Modell, utrustningsnivå, tilläggsutrustning::**

Modell	Kapasitet l/ 24 h	SK 420	SK600	SK1200 SAV	BM	Pakor
Bio-Box XL	600				+	

**Model, equipment level, auxiliary equipment:**

Model	Capacity l/ 24 h	SK 420	SK600	SK1200 SAV	BM	Pakor
Bio-Box XL	400				+	

		Scale:
 <a href="http://www.raita.com">www.raita.com</a>	<b>BioBox XL</b>	<b>2016</b>